

Congratulations on your purchase of this outstanding Jupio Universal Fast Charger. This manual will help you understand how to operate this charger and use your batteries safely.

This charger is designed to charge Lithium(Li-ion) rechargeable battery packs, or Ni-MH/Ni-Cd AA / AAA batteries. It is compatible with most 3.6V / 3.7V & 7.2V / 7.4V digital camera, camcorder & mobile phone Li-ion battery packs.

FEATURES OF THE UNIVERSAL FAST CHARGER

1. Charging mode of charger is shown by LCD screen.
2. When Li-ion charging is complete, LCD indicator will show 100%.
3. Automatic Max Battery Voltage cut off.
4. 12 Volt Car Charger is included.
5. Reverse-polarity(“+” “-”) for lithium battery packs can be charged.
6. Automatic Voltage Change(100 – 240V).
7. Charge 2 pcs of AA/AAA (LR6/LR3).
8. USB Output for easily charging USB devices like tablets, smartphones and mp3 players .

OPERATING INSTRUCTIONS:

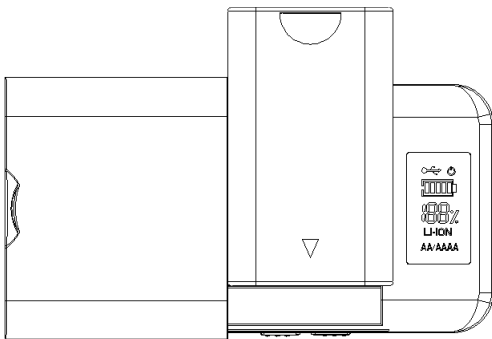
1. Plug the AC adaptor into the wall outlet and connect it to the charger.
2. For AA or AAA batteries, simply slide the door to the left. (Picture 1)
3. The AA or AAA batteries can then be easily inserted. Please note that always 2 batteries have to be charged. (Picture 4)
4. For Li-ion battery packs, simply slide the door to the left. (Picture 1)
5. Insert the Li-ion battery and close the door. Then move the orange sliders on the side of the device to adjust the contact needles to match the + and the – of the battery. (Picture 3)
6. The LCD Indicator will show the complete charging process in %.
7. You can charge your USB devices via the USB port. (Picture 5)
8. Always unplug the adaptor after charging is complete.

IMPORTANT SAFETY INSTRUCTIONS:

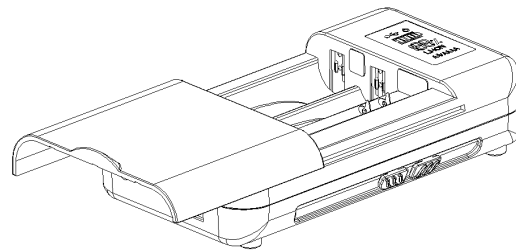
1. Before using this charger, read the instructions carefully.
2. This charger is intended for use with Li-ion rechargeable batteries only. Attempting to charge any other types of batteries will cause personal injury and damage to the charger.
3. Do not expose the charger or adapters to rain or moisture. Designed and intended for indoor use only.
4. Always unplug the charger when not in use.
5. Pay attention when using Info/Data batteries. Connecting the Jupio Universal Fast Charger to a data pin will damage the battery.
6. Do not operate the charger if it has been subject to shock or damage. If subjected to shock or damage have it serviced by a qualified service technician.
7. Do not disassemble the charger. Incorrect reassembly may result in a risk of electrical shock or fire.
8. Unplug the charger from AC outlet before attempting maintenance or cleaning. Cleaning can be done using a soft cloth.
9. Lithium Battery Pack and AA /AAA batteries **can't** be charged together.

STATUS OF LCD INDICATOR:

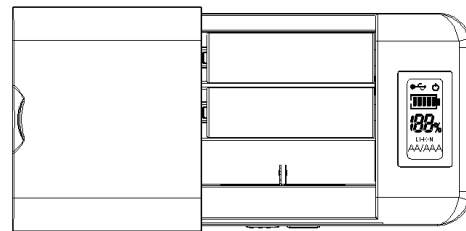
1. AA /AAA: AA/AAA indicator will be lit.
2. Li-ion: Charging process is shown realtime in percentage.
3. USB: USB symbol will be lit.



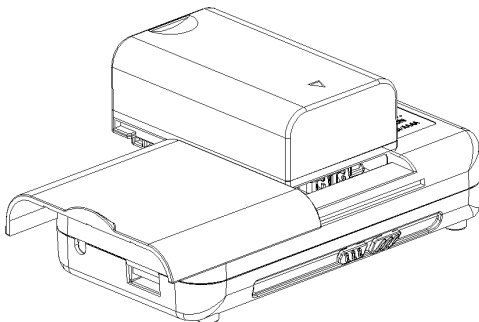
Picture 2



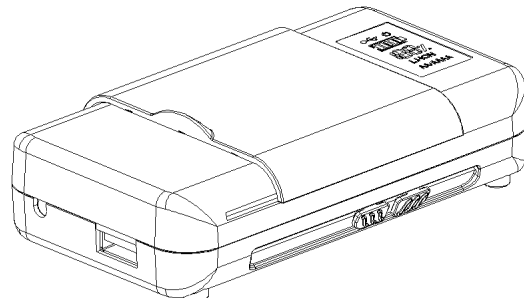
Picture 1



Picture 4



Picture 3



Picture 5

